

TP 100 PTO

The TP 100 is a drum chipper with a vertical funnel. Compact and effective wood chipper for chipping branches up to 100 mm in diameter. Retraction and cutting the material happens at the combination of the vertical chipper and the knives' position on the drum in relation to the anvil. Effect from 15 to 40 hp.

TP 100 is available for tractor or on trailer with its own engine. A small wood chipper with large capacity and very handy in tight places.

Standard on TP 100

- Revolving ejector spout
- V-belt drive
- Two reversible knives
- Tool kit
- One anvil in Hardox 400
- Comprehensive manual
- PTO linkage



TP 100

TP 150

TP 200

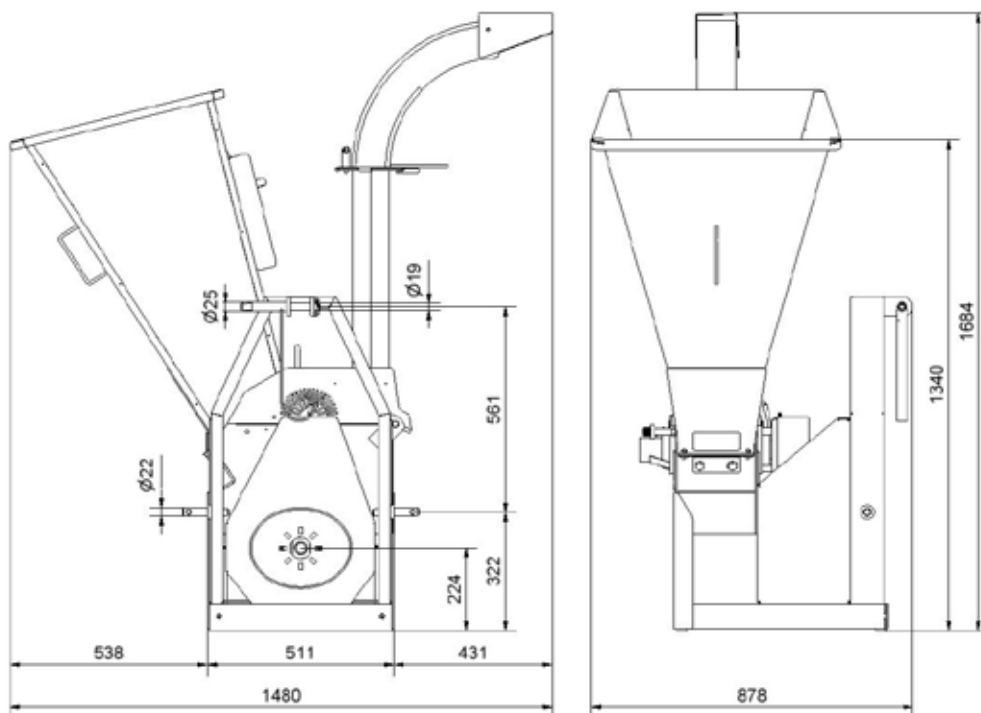
TP 250

TP 230

TP 270

TP 280

TP 400



TECHNICAL DATA

Max wood diameter	100 mm
Opening at Drum	L x B = 270 x 150 mm
Chipper principle	Drum
In feed	Vertical
Drum diameter	410 mm
Drum - weight in kg	48
Number of knives	2 pcs. (reversible)
Chip length	5 - 20 mm
Power required	11-29 kW (15-40 hp)
Anvil	1 horizontal
Transmission	V-belt drive for start of wood chipper
Chip capacity	1 - 2 m³/hour (Experience number when feeding manually)
Weight	200 kg
Tool kit	Comprehensive tool-kit set for adjustment purposes